

# Sorter Adapter Type J (A527)

This parts catalog is includes MB No 1 to 2.

## **PARTS CATALOG**

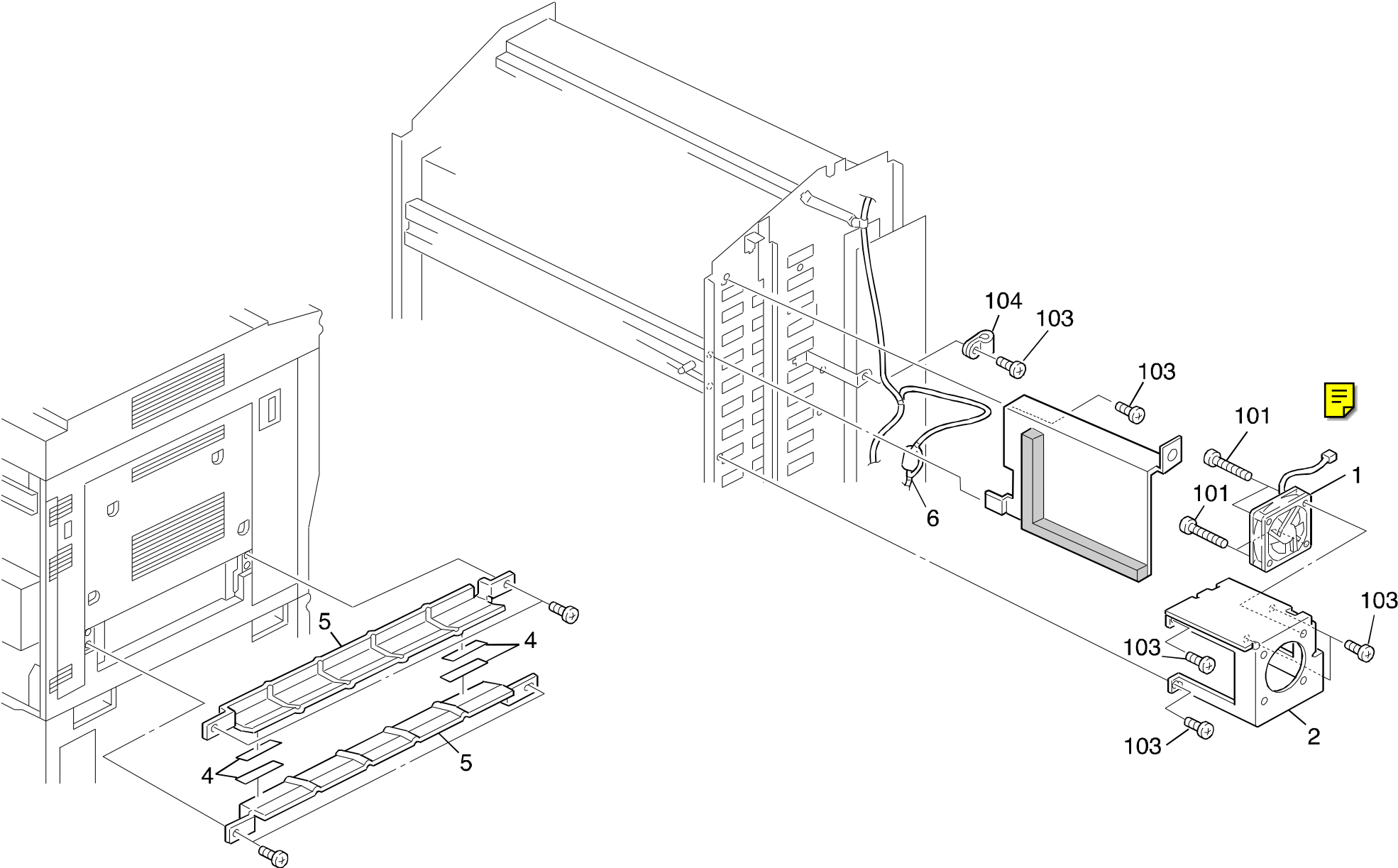
### **INTRODUCTION**

This chapter instructs you the numbers and names of parts on this machine.

### **INDEX to PARTS CATALOG**

1.SORTER Adapter Type J .....	2
<b>PARTS INDEX .....</b>	<b>5</b>

# 1. SORTER Adapter Type J



# 1. SORTER Adapter Type J

Index No.	Part No.	Description	Qty Per Assembly
1	AX64 0043	Optics Cooling Fan Motor - DC24V 2.88W	1
2	A527 1041	Fan Motor Bracket	1
3	A527 1045	Air Outlet Plate	1
	A527 1042	x/o MB2	1
4	AA15 0324	Mylar - 60x5mm	4
5	A527 4401	Guide Plate	2
6	A527 5363	Sorter Harness	1

Index No.	Part No.	Description	Qty Per Assembly
101	0341 0300	Philips Pan Head Screw - M4x30	
102	1105 0349	Edge Saddle MB2 (OBS)	
103	0314 0060B	Philips Pan Head Screw - M4x6	
104	1105 0199	Clamp	

# **PARTS INDEX**

Part No.	Description	Page and Index No.
A527 1041	Fan Motor Bracket	3- 2
A527 1042	x/o MB2	3- 3
A527 1045	Air Outlet Plate	3- 3
A527 4401	Guide Plate	3- 5
A527 5363	Sorter Harness	3- 6

Part No.	Description	Page and Index No.
AA15 0324	Mylar - 60x5mm	3- 4
AX64 0043	Optics Cooling Fan Motor - DC24V 2.88W	3- 1
0314 0060B	Philips Pan Head Screw - M4x6	3-103
0341 0300	Philips Pan Head Screw - M4x30	3-101
1105 0199	Clamp	3-104
1105 0349	Edge Saddle MB2 (OBS)	3-102